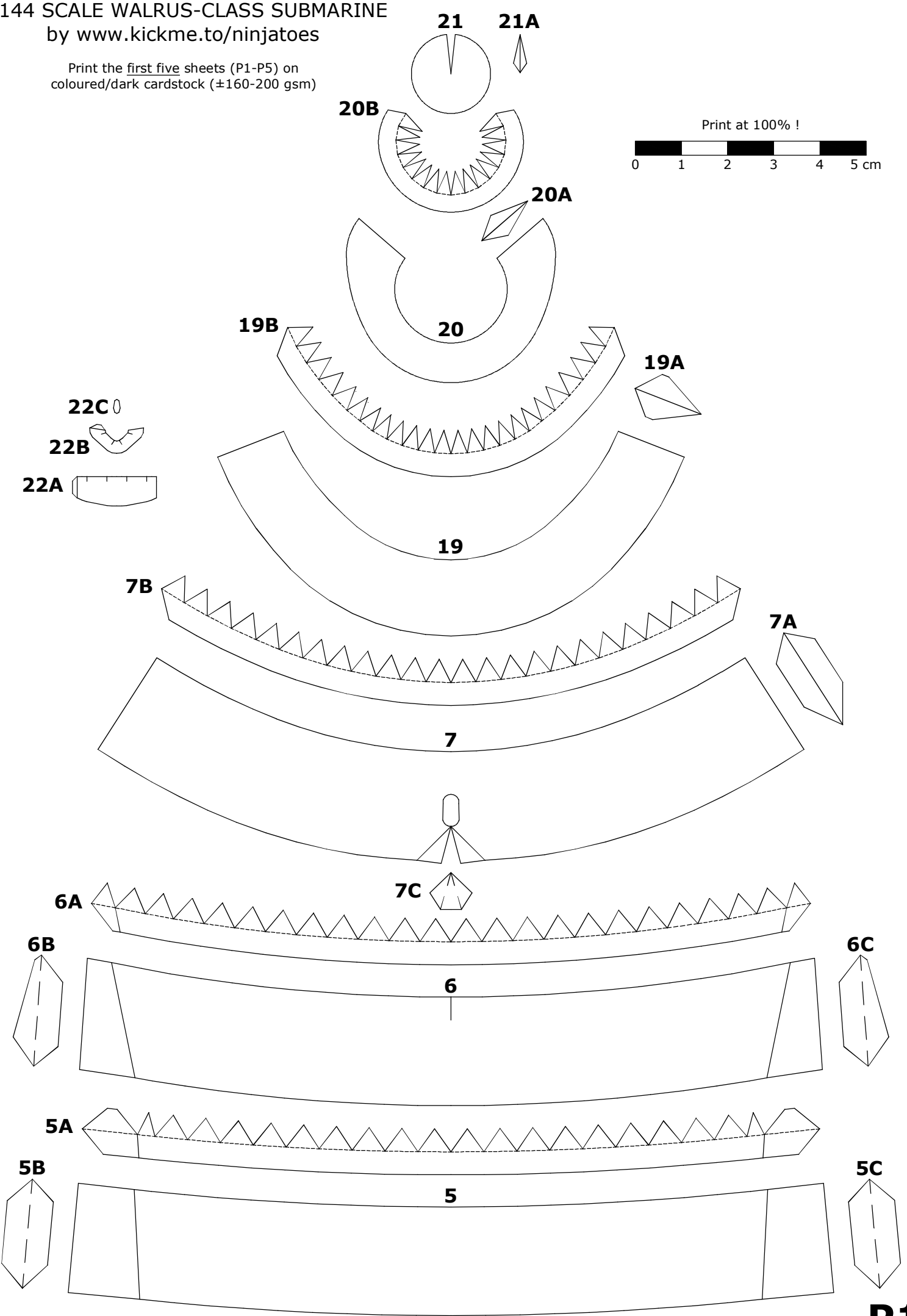
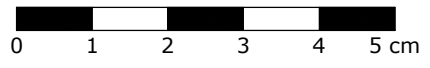
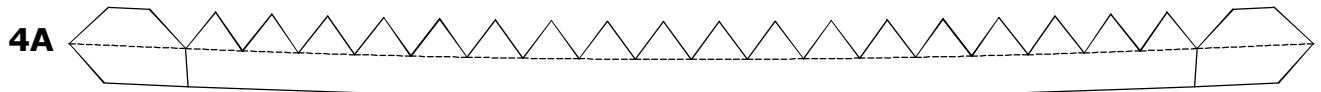


1:144 SCALE WALRUS-CLASS SUBMARINE
by www.kickme.to/ninjatoes

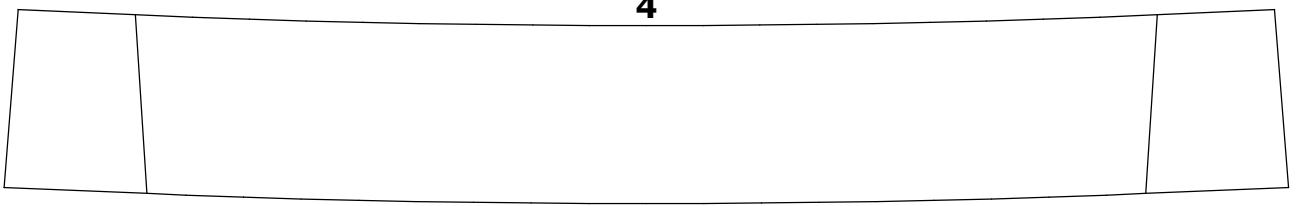
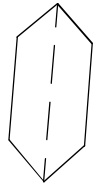
Print the first five sheets (P1-P5) on
coloured/dark cardstock (±160-200 gsm)

Print at 100% !

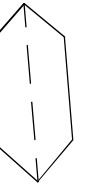




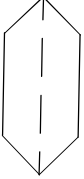
4B



4C



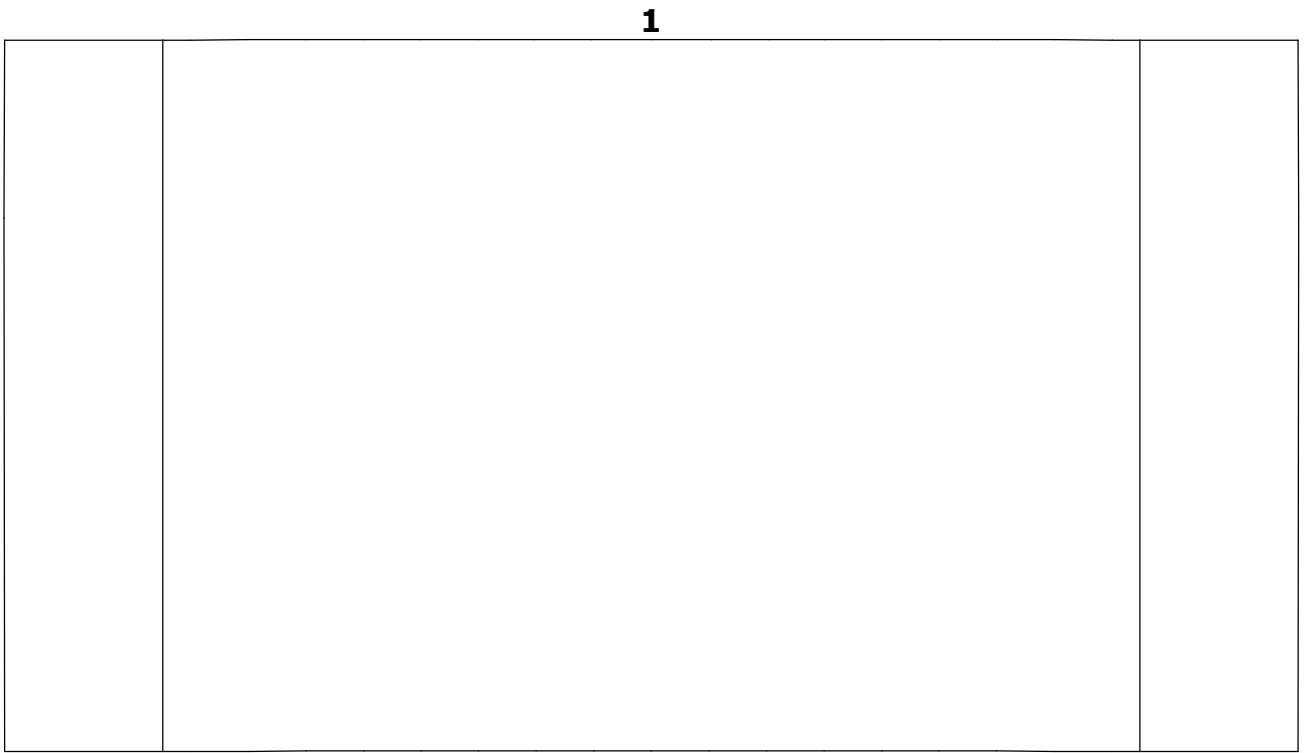
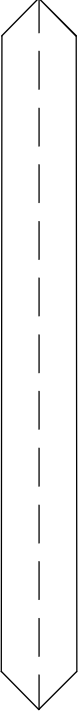
3B



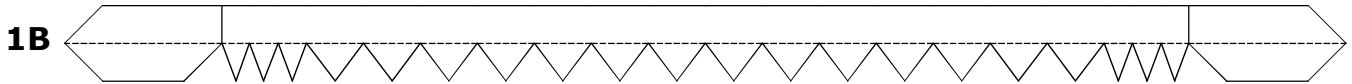
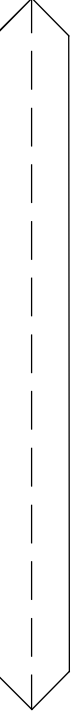
3C



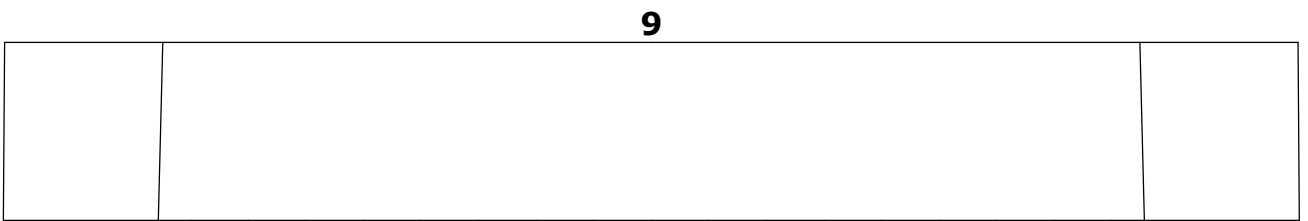
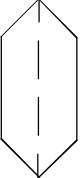
1C



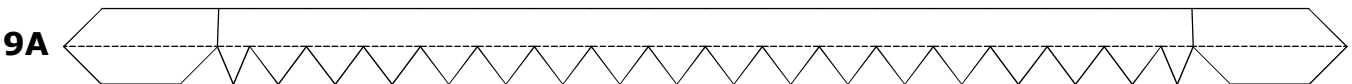
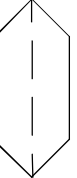
1D

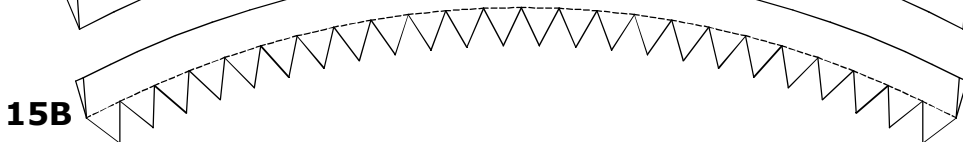
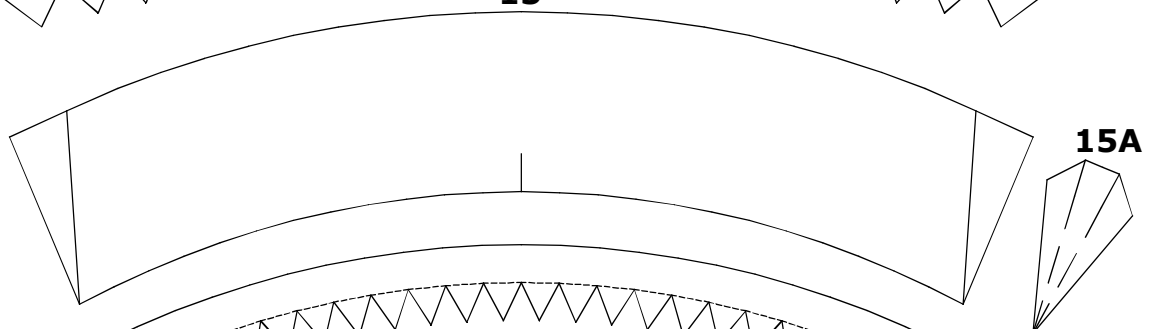
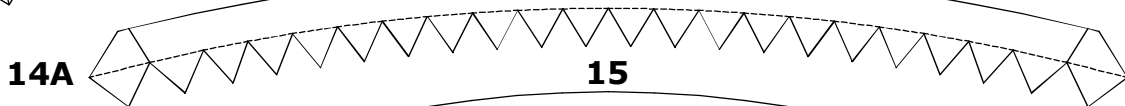
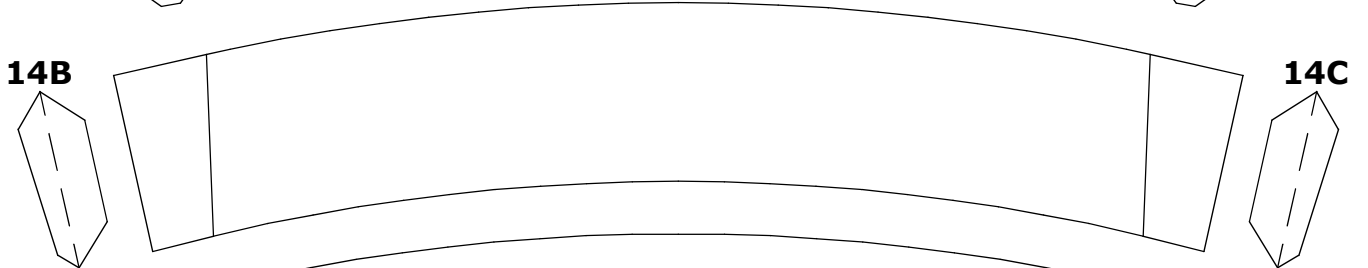
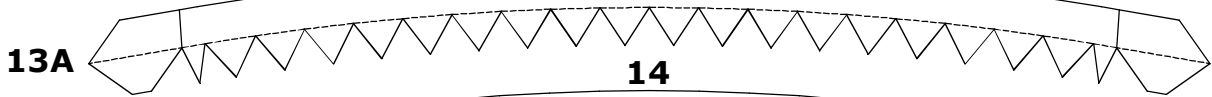
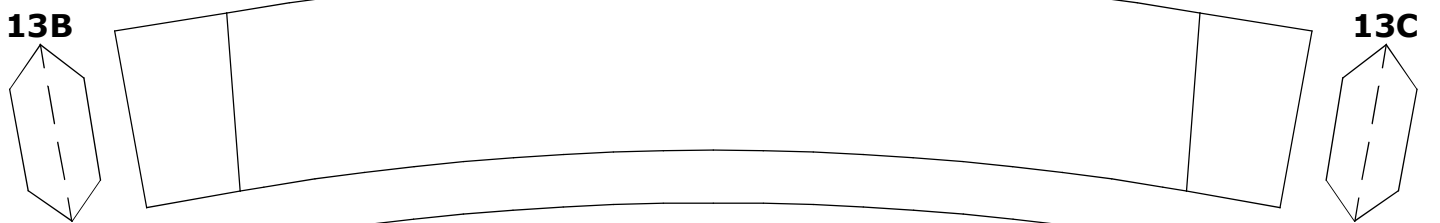
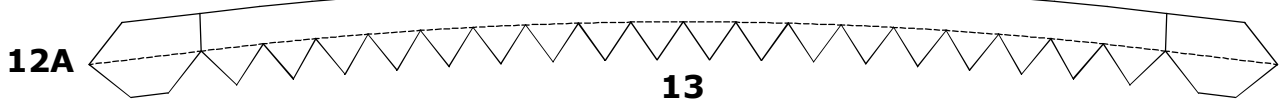
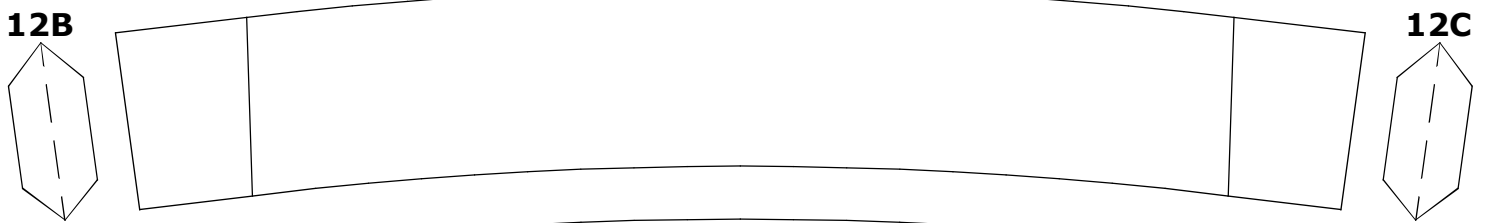
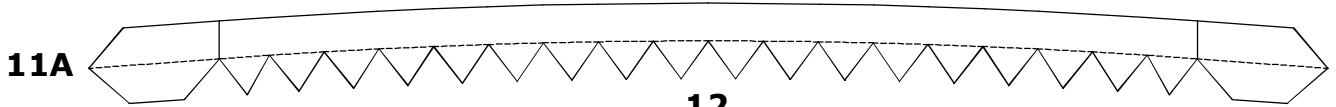
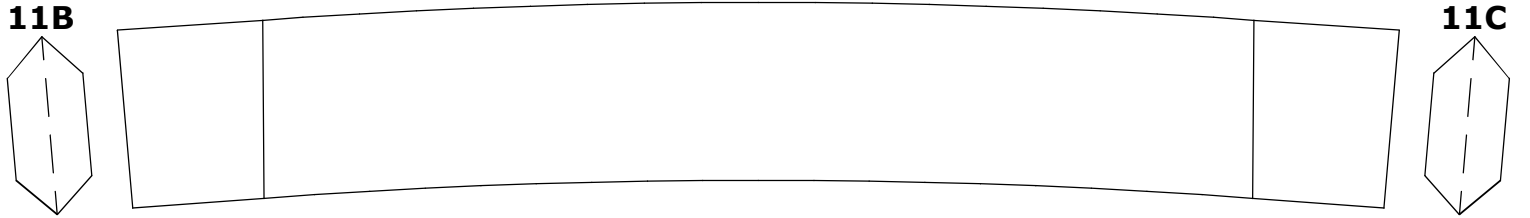
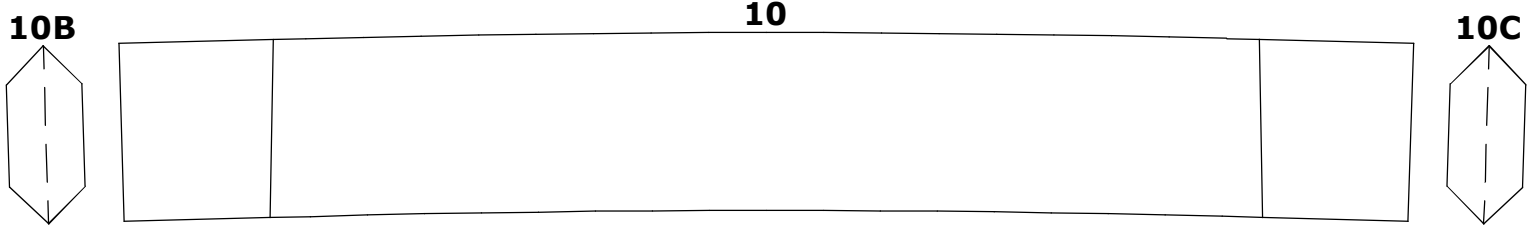


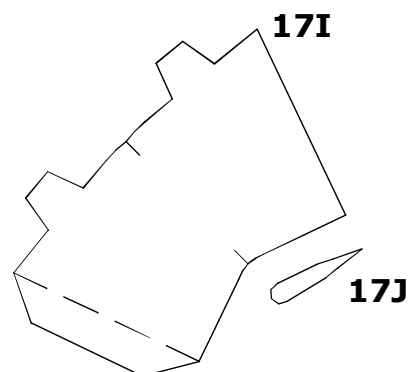
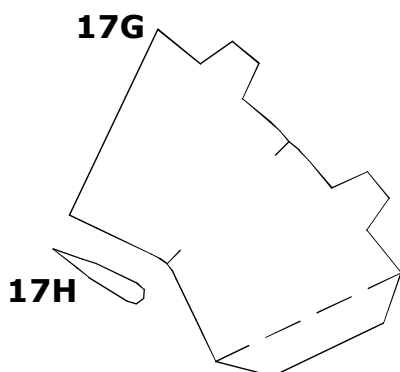
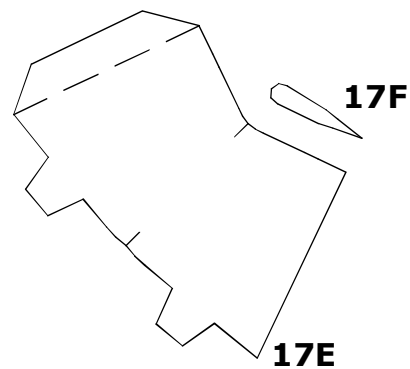
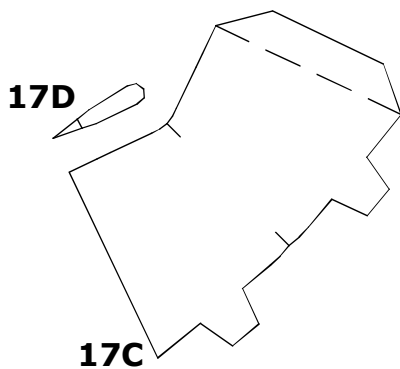
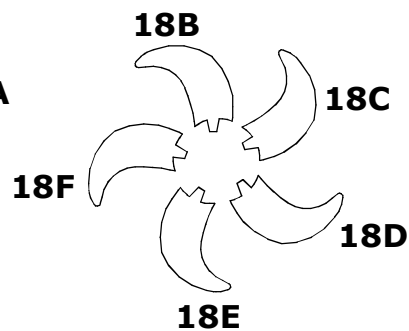
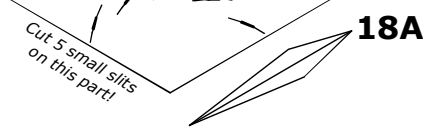
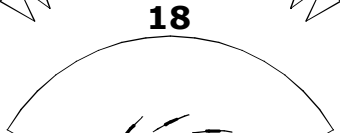
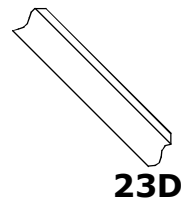
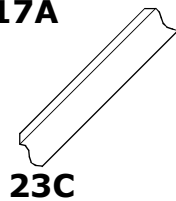
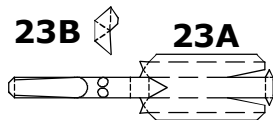
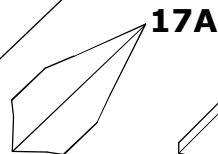
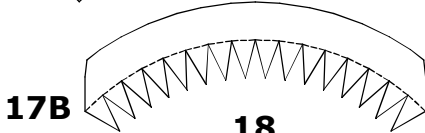
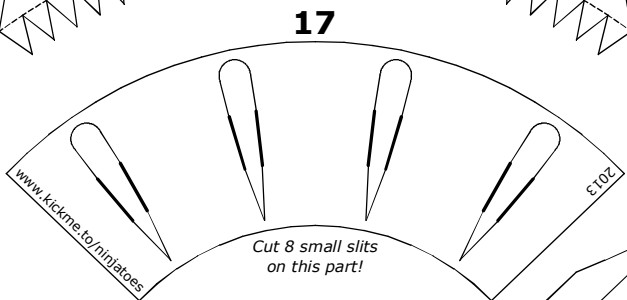
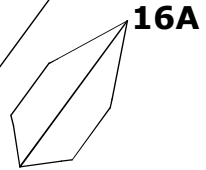
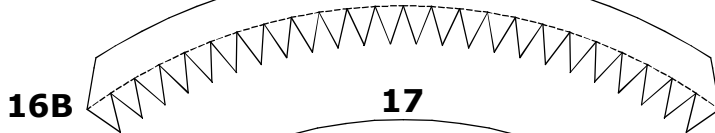
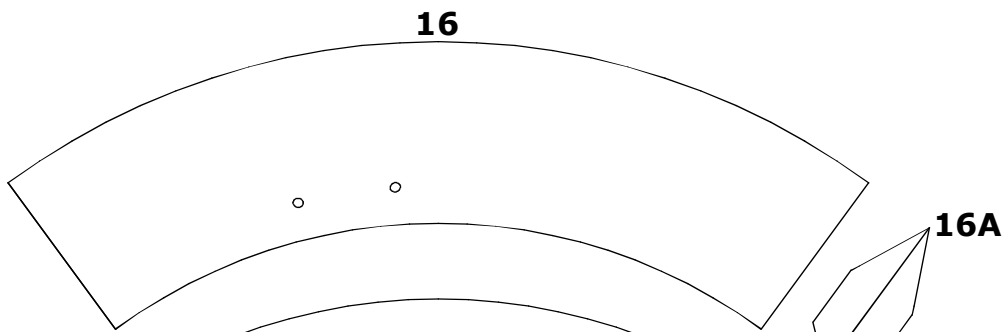
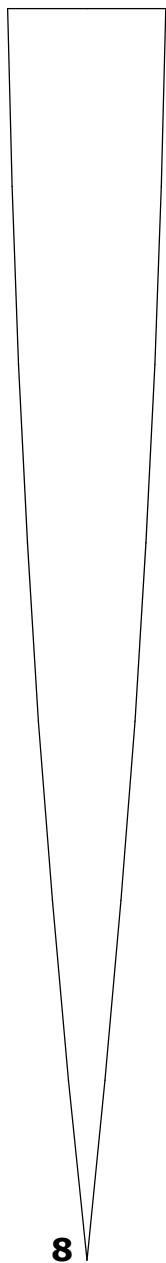
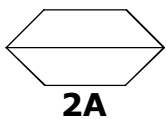
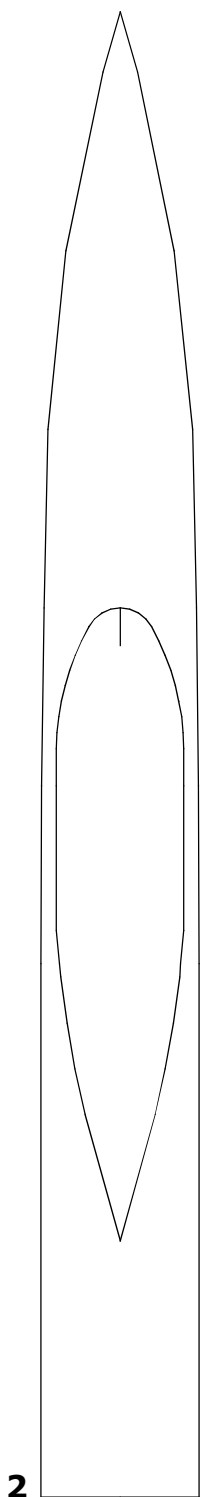
9B

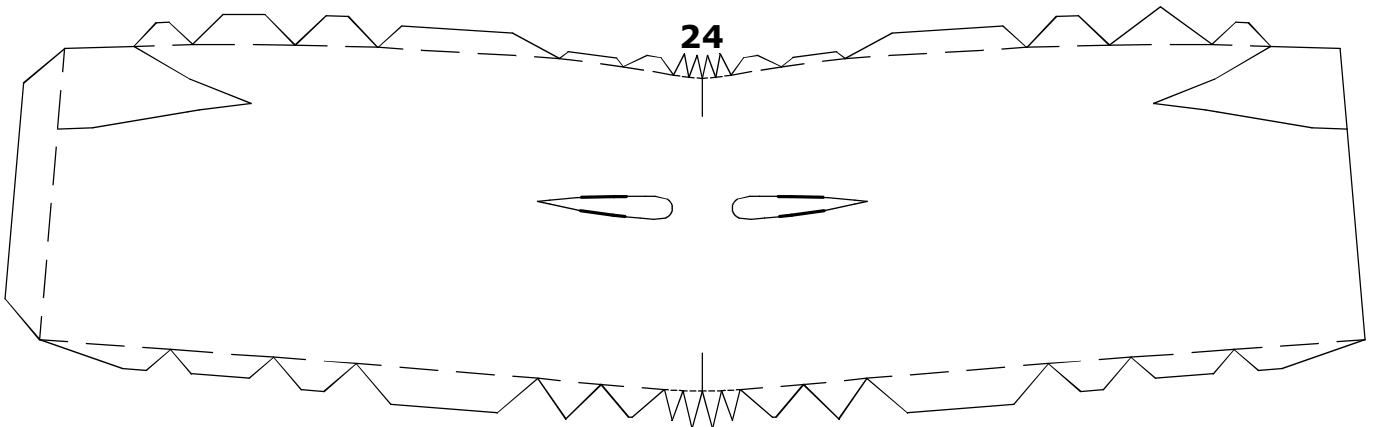
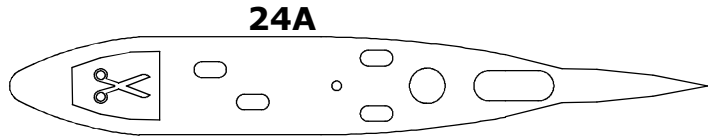
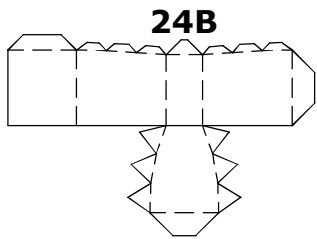
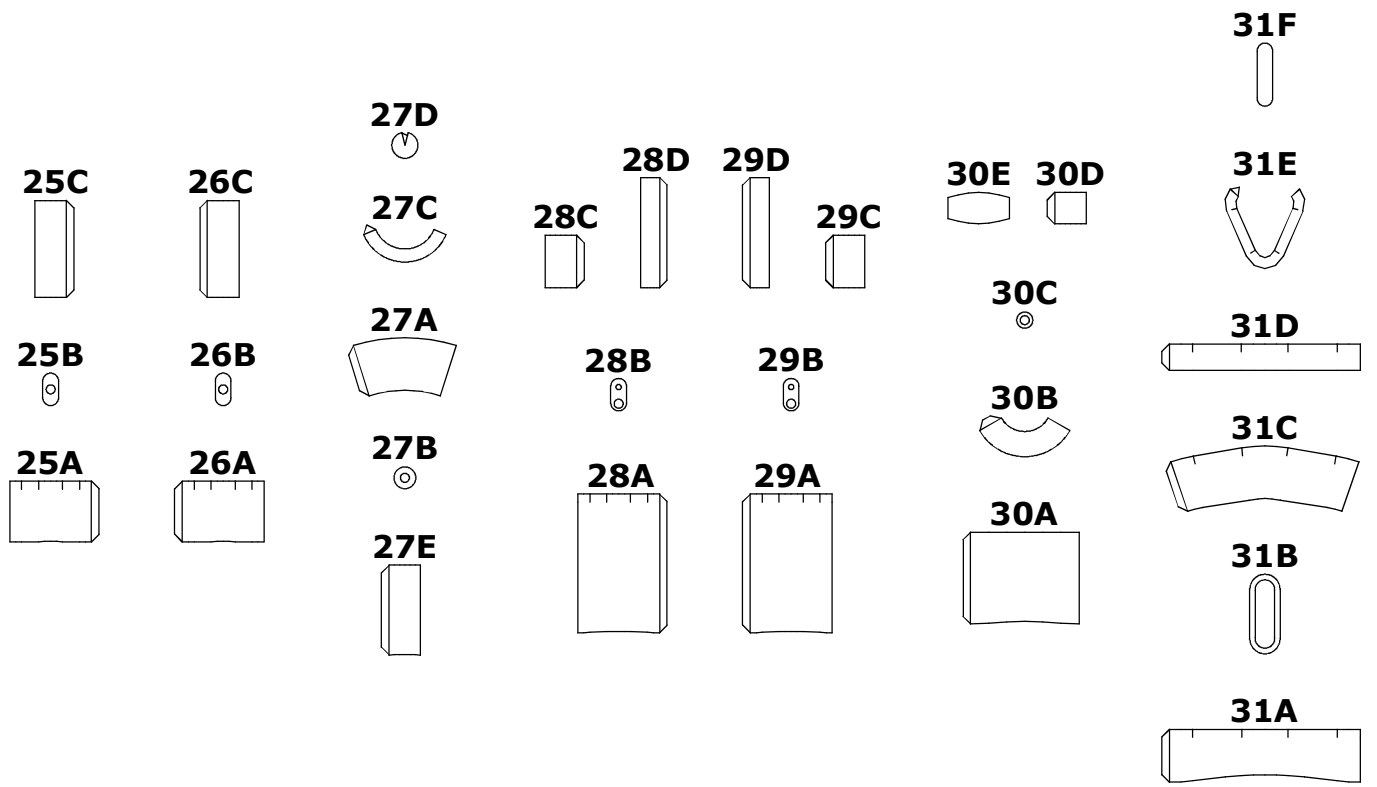


9C

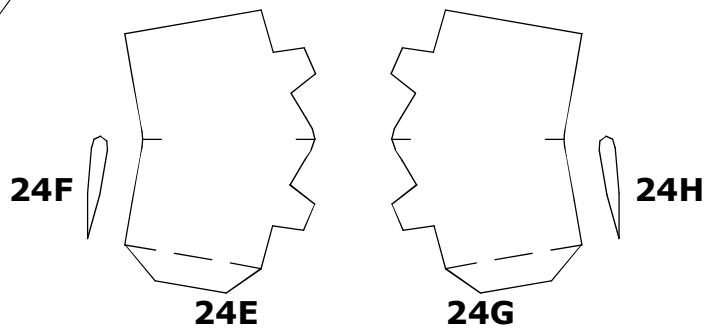
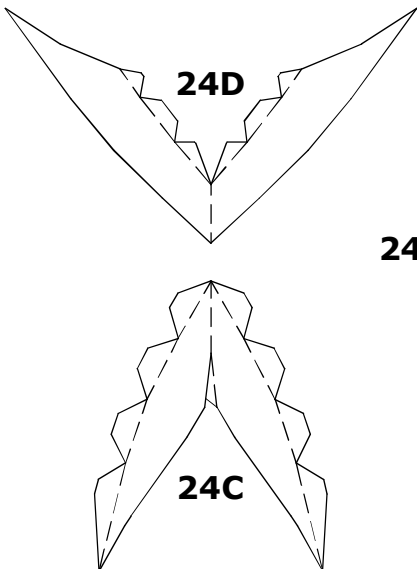


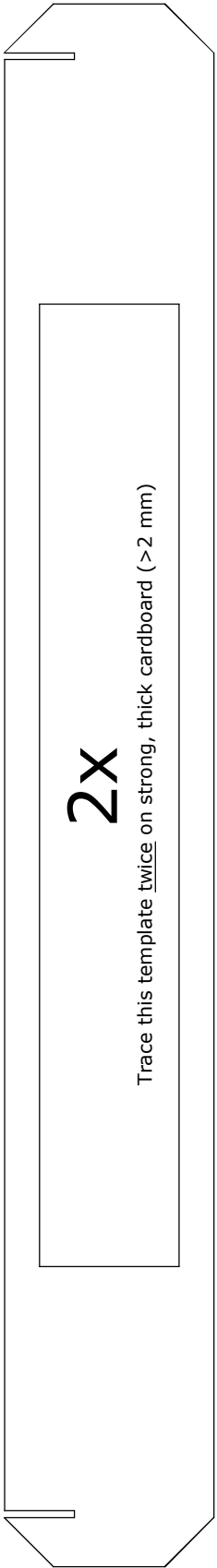






Cut 4 small slits on this part!





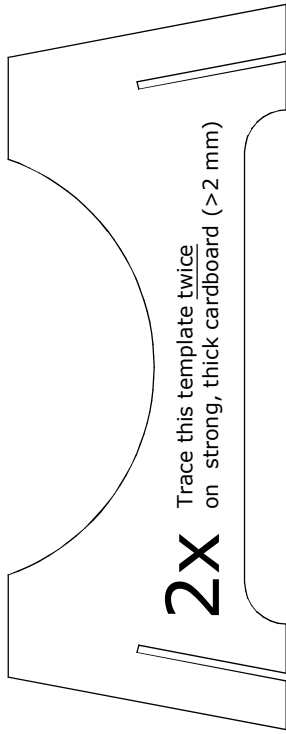
2X

Trace this template twice on strong, thick cardboard (>2 mm)

ROYAL NETHERLANDS NAVY WALRUS-CLASS SUBMARINE

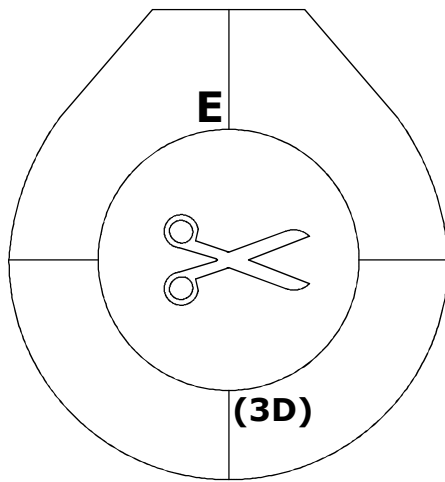
Length: 68 m
 Beam: 8.5 m
 Max. depth: >300 m
 Propulsion: diesel/electric (3132 kW)
 Maximum speed: 11 knots (surface), 20 knots (submerged)
 1:144 scale papercraft model
 by www.kickme.to/ninjatoes

Cut out this info sheet and glue it onto the display stand.

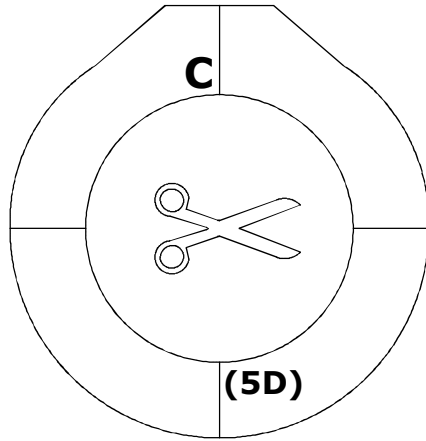


2X Trace this template twice on strong, thick cardboard (>2 mm)

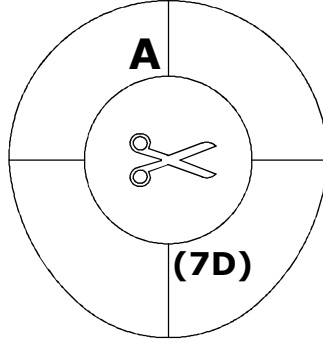
Print these last two sheets (P6-P7) on cheap printer paper, and then trace the pieces on strong, thick cardboard (>2 mm)
 (note that you might have to make these pieces a tiny bit bigger or smaller, depending on the thickness of the paper you use for the hull!)



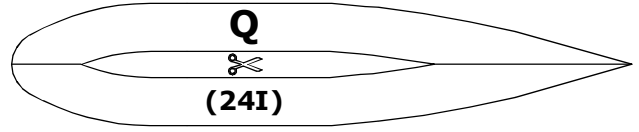
(3D)



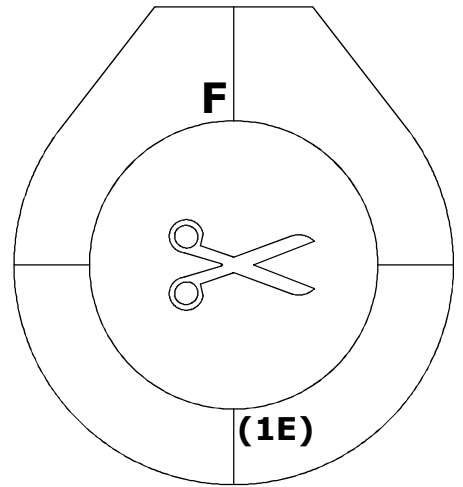
(5D)



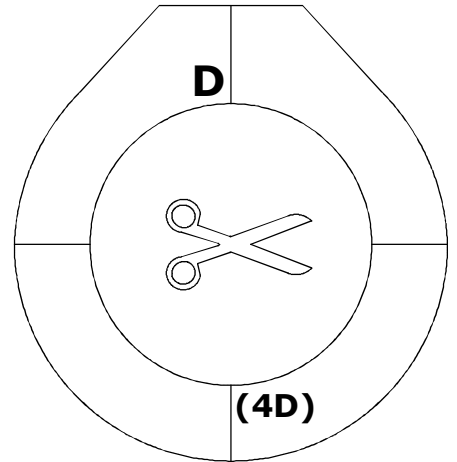
(7D)



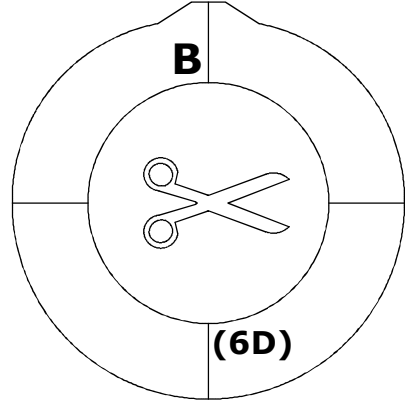
(24I)



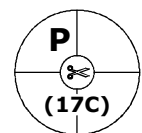
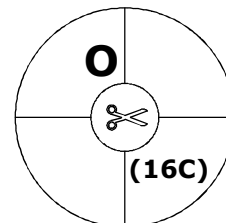
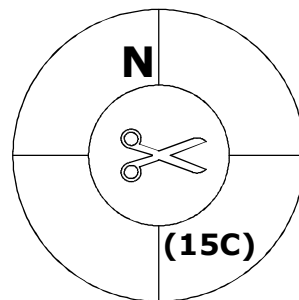
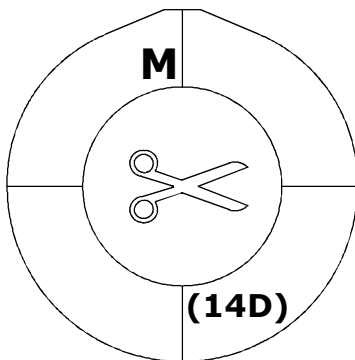
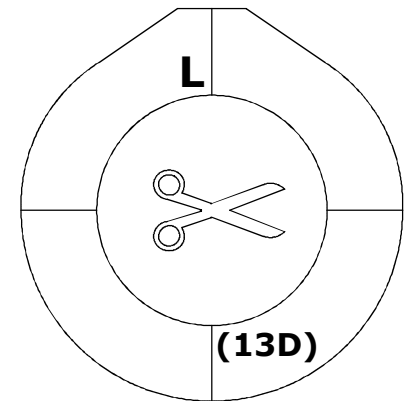
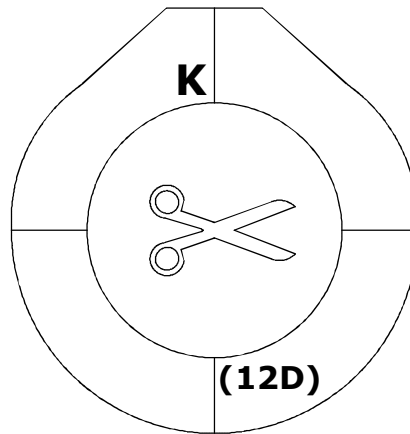
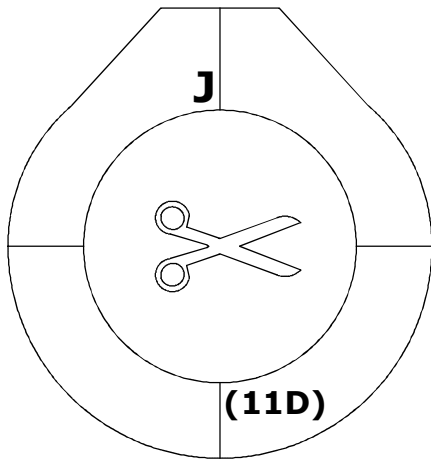
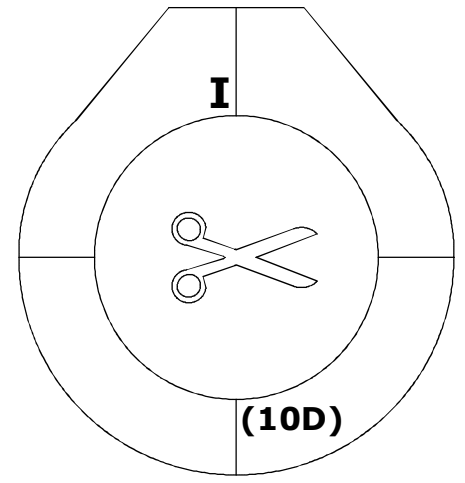
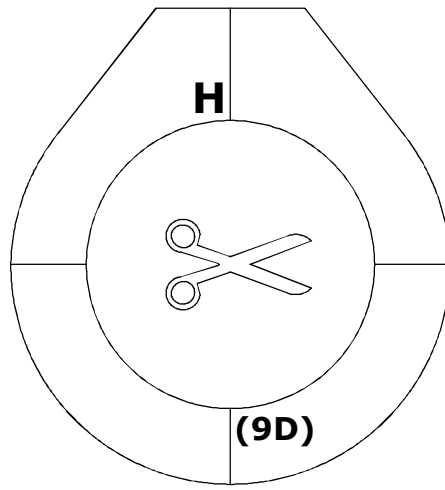
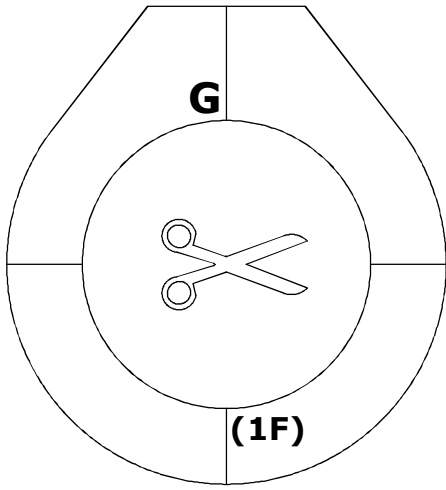
(1E)



(4D)



(6D)



Print these last two sheets (P6-P7) on cheap printer paper, and then trace the pieces on strong, thick cardboard (>2 mm)
(note that you might have to make these pieces a tiny bit bigger or smaller, depending on the thickness of the paper you use for the hull!)